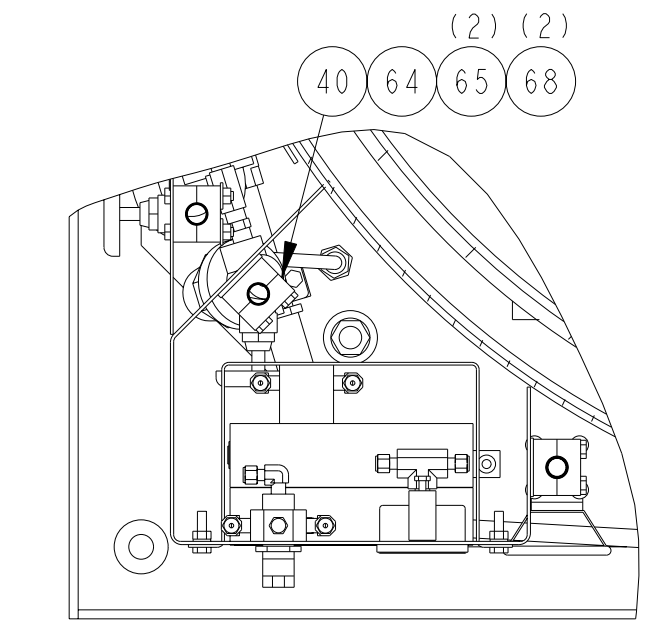
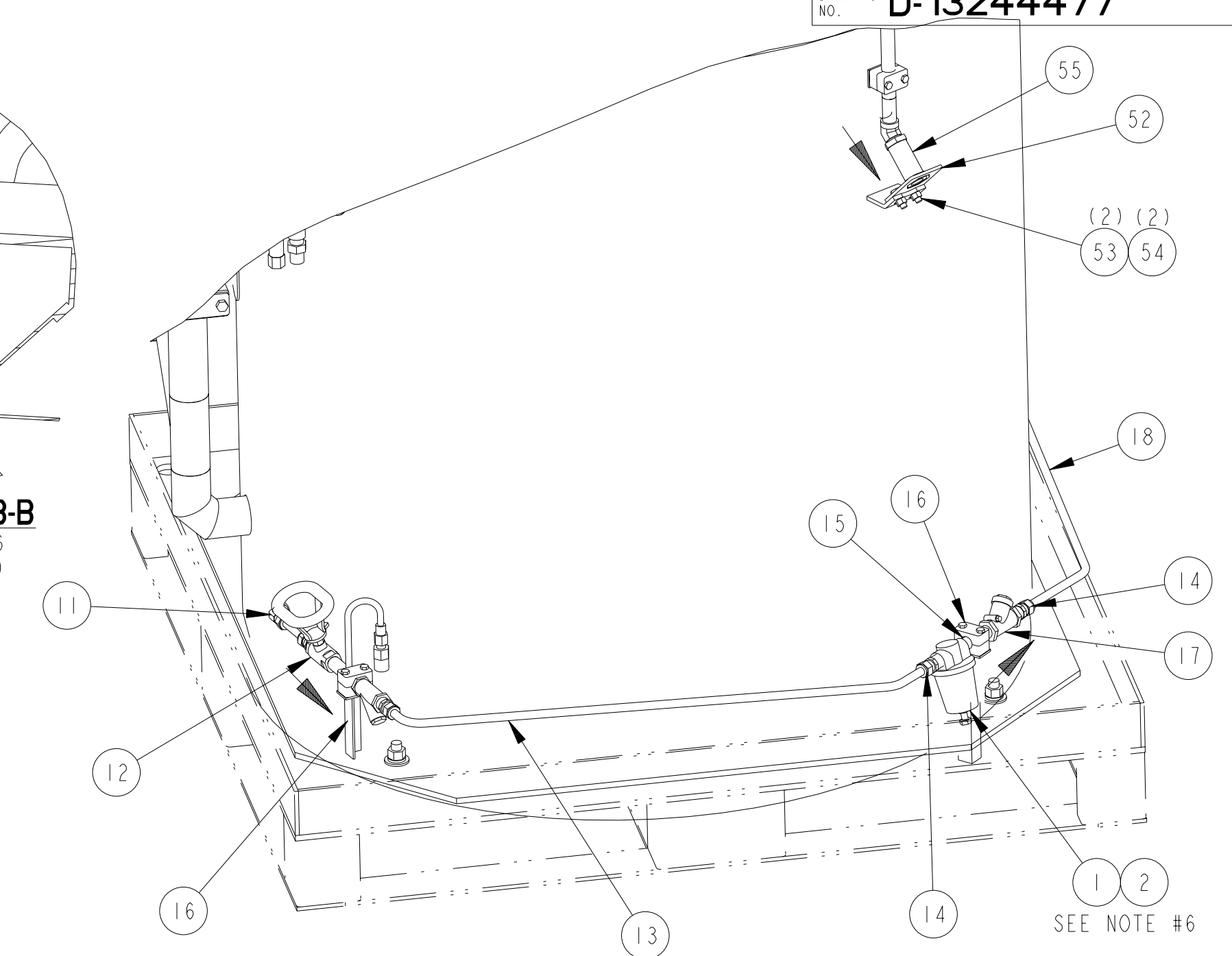


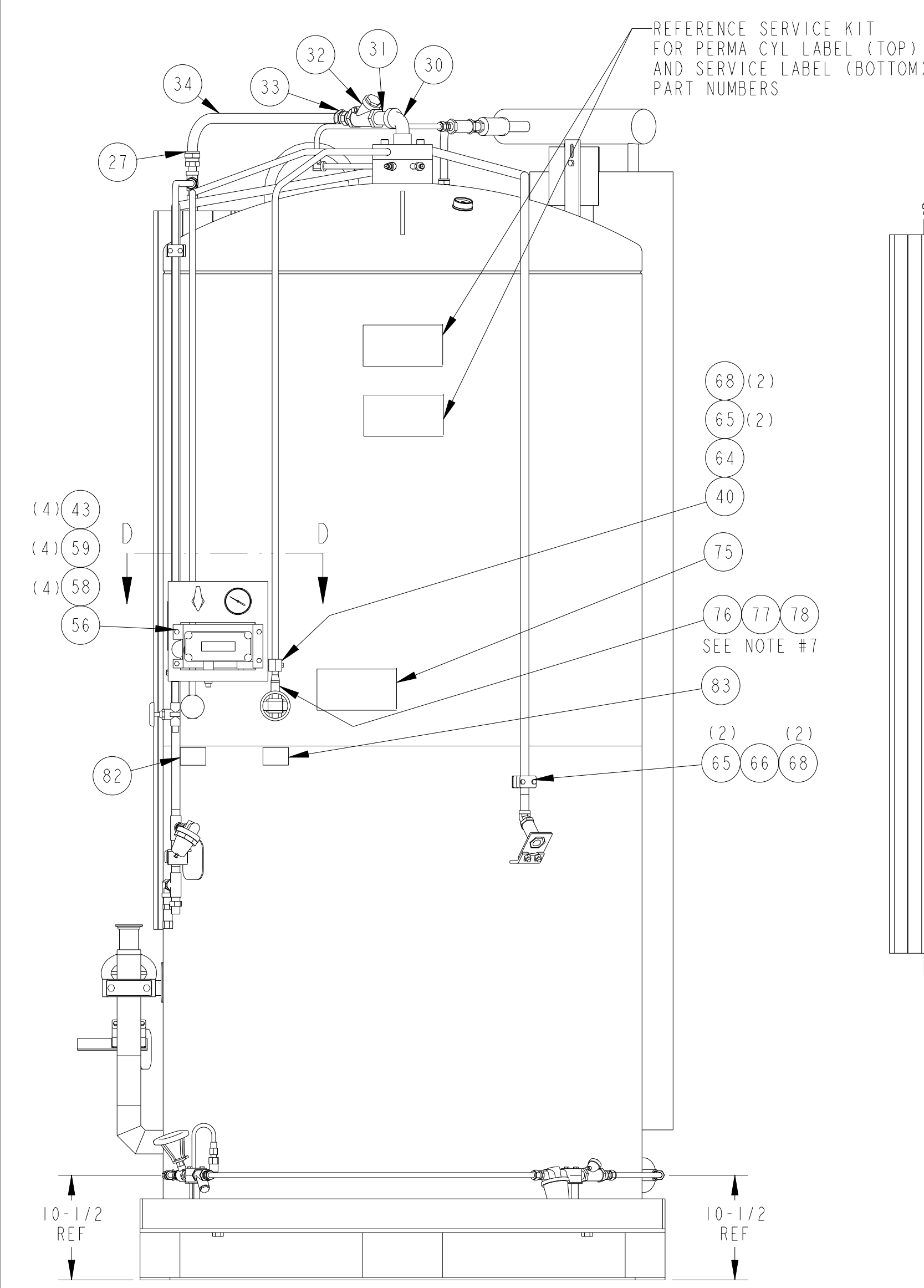
SECTION B-B
SCALE 5/16
TYP (2PLCS)



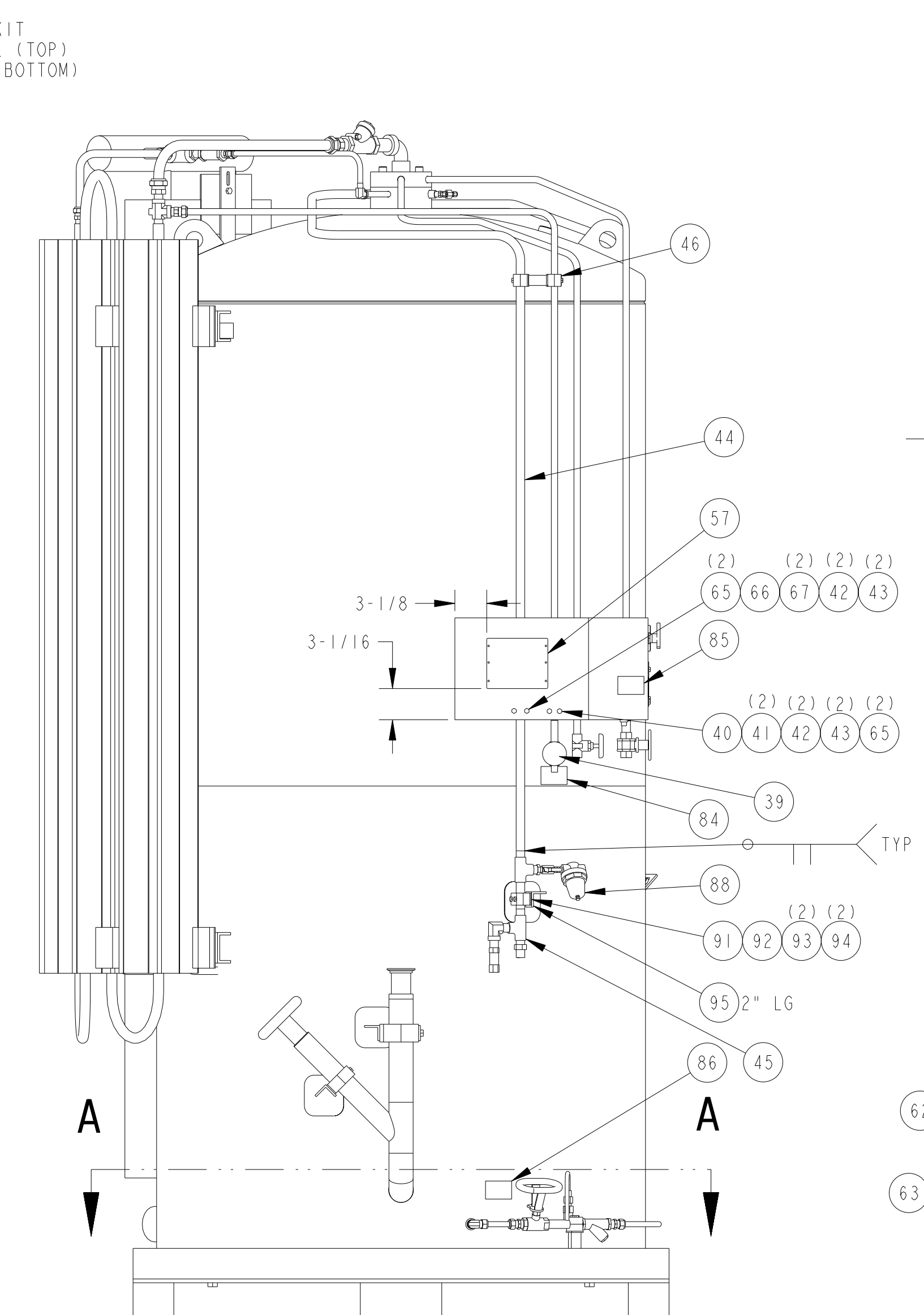
SECTION D-D
SCALE 3/16



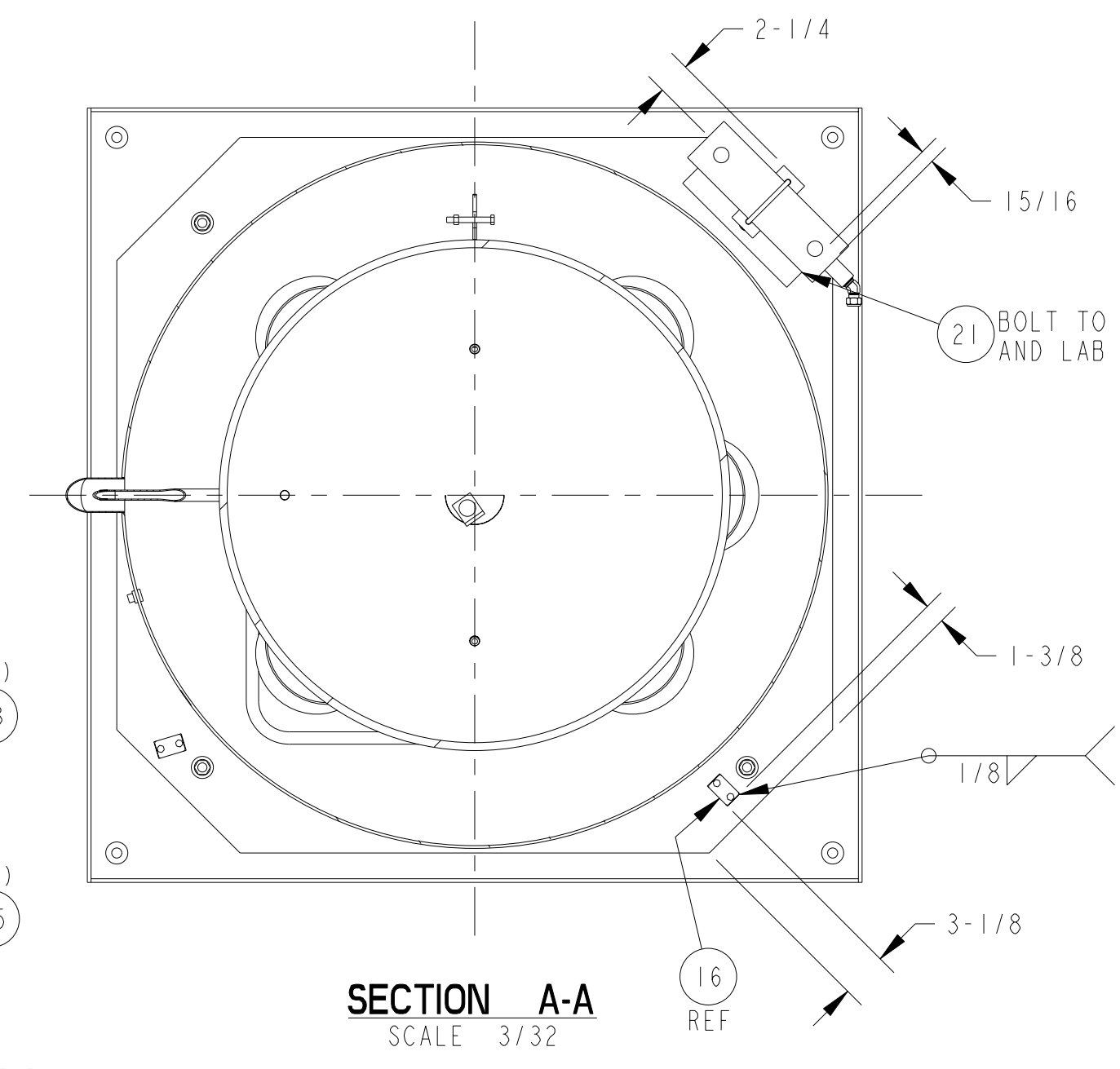
BOTTOM ISO VIEW
SCALE 1/8



FRONT VIEW



**VIEW E-E
LEFT SIDE VIEW**



SECTION A-A
SCALE 3/32

