



ADF105™ Automatic Dewar Filling Station

Chart's ADF105 is a manual start, automatic shut off liquid nitrogen dewar filling station for standard (160 liter - 240 liter) dewars (liquid cylinders). The ADF105 uses cryogenic sensors to detect a "full" condition. Once full, dual cryogenic valves shut off the fill cycle maintaining the fill pressure inside the liquid cylinder. The liquid cylinder is ready for immediate use.

The ADF105 system is suitable for indoor and outdoor installations. It is designed to fill portable pressurized liquid nitrogen cylinders from a piping system or bulk tank.



Features

- **Small footprint** – no large, bulky scale required to fill liquid cylinders
- **Robust, cryogenic sensing** – faster, safer, and more reliable fill sensing technology to automatically shut off the fill cycle
- **High pressure feed** – 150 psi (10.3 bar) inlet pressure
- **Easy, single button operation** – no multi-step process or re-calibration required to activate a fill. Push the button, walk away, and come back to a full liquid cylinder
- **Vent safety interlock** – vent lines must be properly installed on the liquid cylinder before the system will initiate a fill
- **Indoor or outdoor installation** – fill liquid cylinders where it is most convenient
- **2 year warranty** – rigorously tested and proven components ensure reliable service

Key Benefits

- **Eliminate Waste** – no more overfilling or loss of product with other filling methods
- **Increase Employee Safety** – create a safer work environment with max fill shut off timer, vent safety interlock, and security key switch features
- **Create Labor Efficiencies** – unattended filling eliminates wasted labor and downtime
- **Exponential Cost Savings** – control your costs with onsite, facility resources



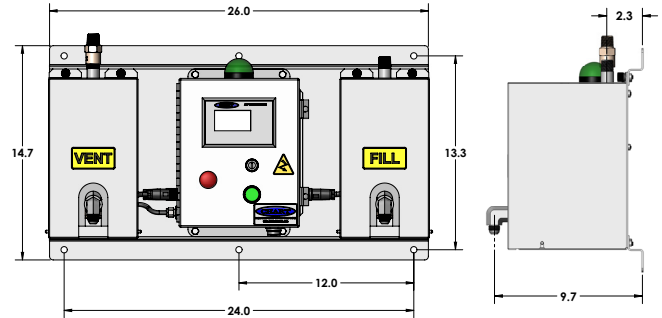
ADF105 Controller



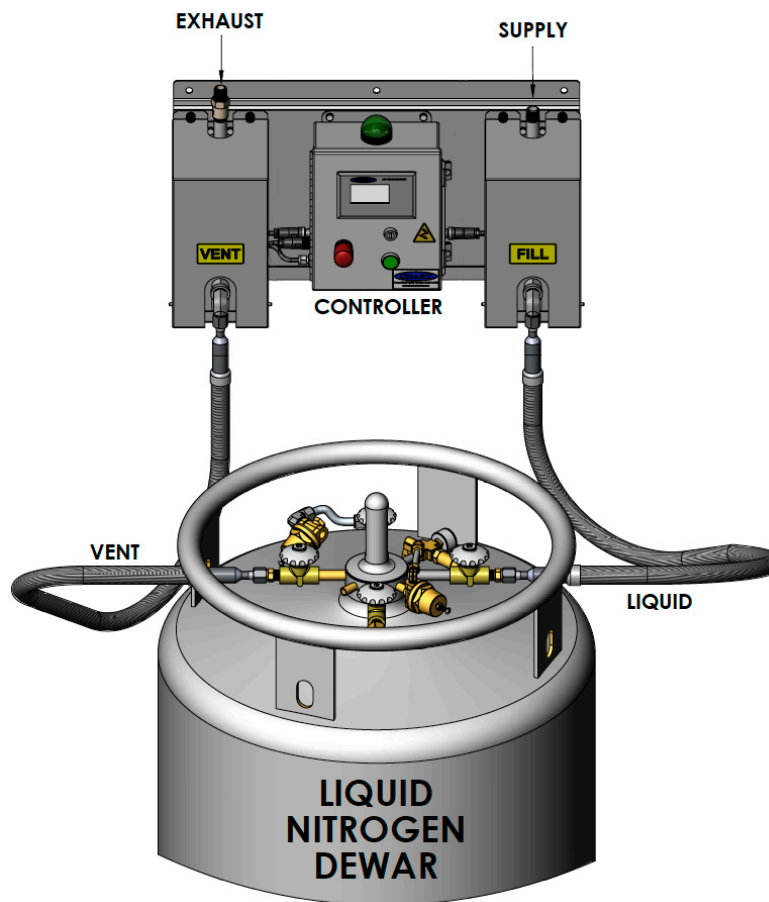
ADF105 Technical Specifications

Fabrication	Exterior Case: Stainless Steel Electrical Enclosure: Weather Tight
Utilities	Electrical: Single phase 115v/3 amps, Optional 220v/1.5 amps
Certifications	NEMA 4X, CE
Specifications	Weight: 54 lbs (24.49 kg) Dimensions: 26" L x 15" H x 10" D (660.4 x 381 x 254 mm) Min/Max operating pressure: 22-150 psi (1.5-10.3 bar)
Additional Components	Two 4' non-vacuum insulated flex hoses

ADF105 Dimensions



ADF105 Diagram



Your Local Representative



Chart Inc.

161 Baypointe Parkway • San Jose, CA 95134
Phone +1 800.371.3303 • Fax +1 408.577.1567 • Service +1 408.371.4932

© 2014 Chart Inc.

www.chartindustries.com

PN 20813811